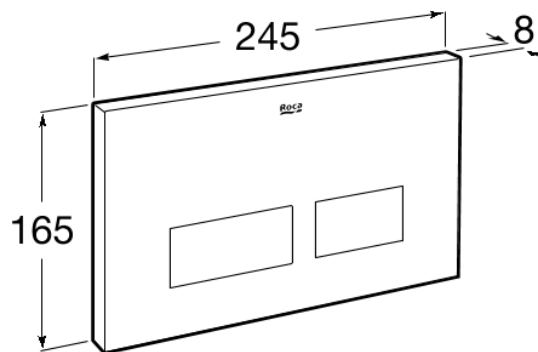


IN-WALL

Operating plate AC4

TECHNICAL DRAWINGS



FEATURES

Number of buttons: 2

BOUGHT TOGETHER FREQUENTLY



Installation system for floorstanding WC. With compact cistern and dual flush mechanism 6/3, 4.5/3 and 4/2 litres and installation accessories. Minimum depth: 80 mm. (Preset to 4,5/3L)



Installation system for floorstanding WC. With compact cistern and dual flush mechanism 6/3, 4.5/3 and 4/2 litres and installation accessories. Minimum depth: 80 mm. (Preset to 6/3L)




Installation system for wall-hung WC. With compact cistern and dual flush mechanism 6/3, 4.5/3 and 4/2 litres and installation accessories. Minimum depth with horizontal outlet: 80 mm  
Minimum depth with



Installation system for wall-hung wc, brick wall  
890060120



Installation system for wall-hung WC. With compact cistern and dual flush mechanism 6/3, 4.5/3 and 4/2 litres and installation accessories. Minimum depth with horizontal outlet: 80 mm  
Minimum depth with



Installation system for wall-hung wc, light wall  
890060020

## In-Wall

Systems that combine efficiency and technology to deliver the best performance.

